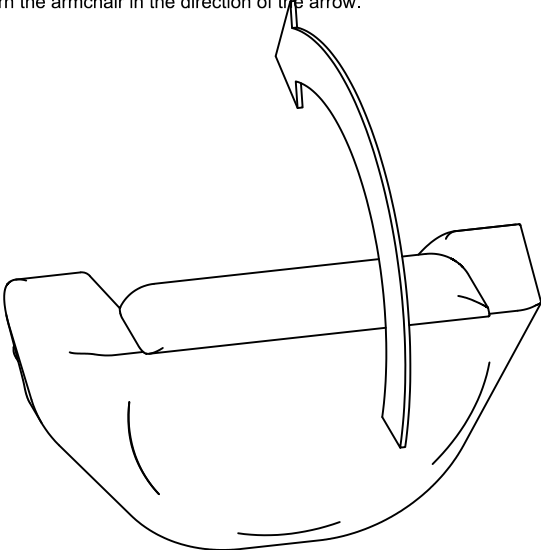
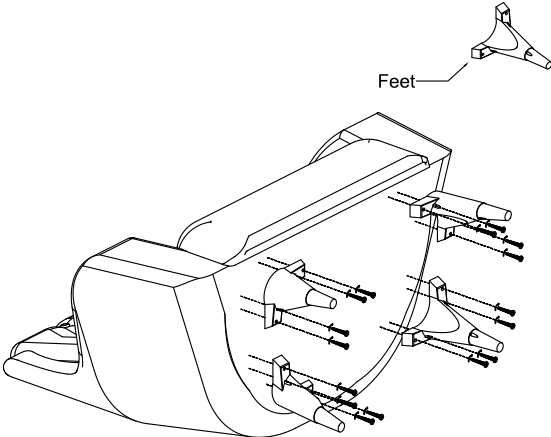


DOHA ASSEMBLY INSTRUCTION

1. Turn the armchair in the direction of the arrow.



2. Assemble the feet with 3 screws.



4. Turn the sofa in the direction of the arrow and your sofa is ready.

