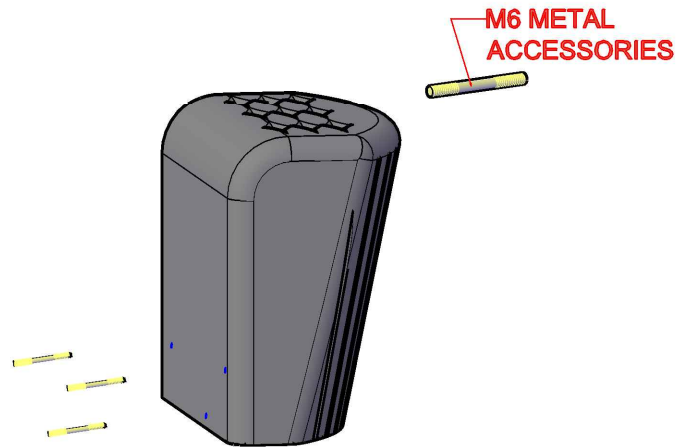
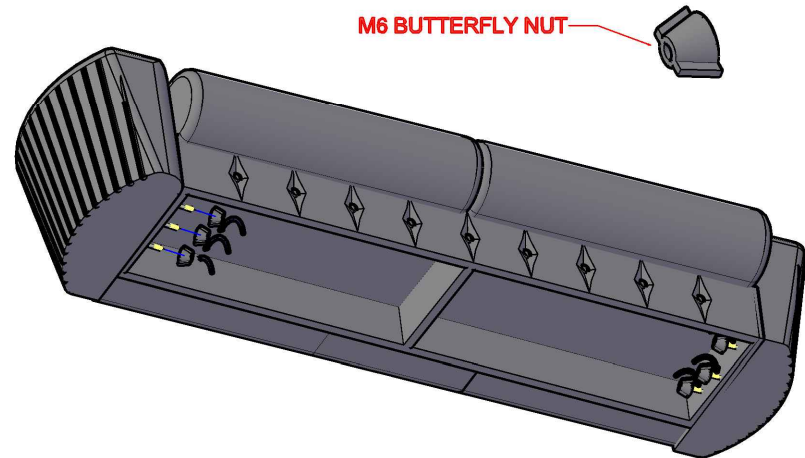


## ASSEMBLY INSTRUCTION

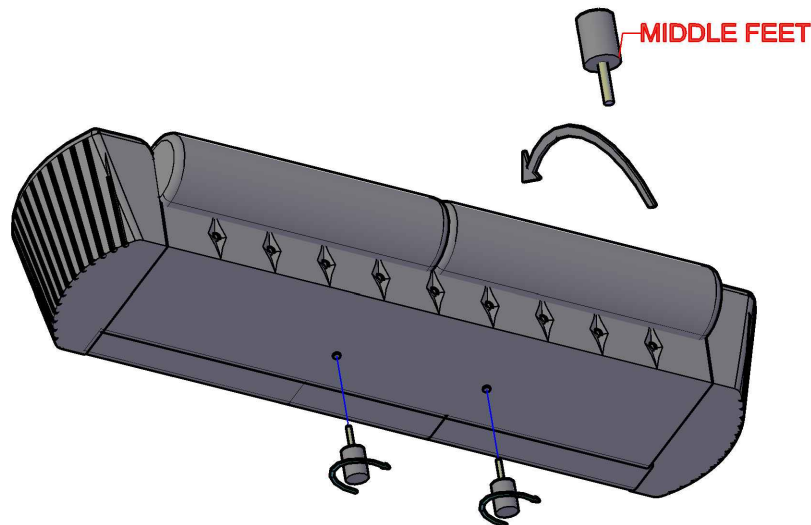
1. ON ARM "M6 METAL ACCESSORIES" ARE ATTACHED TO THE HOLES BY TURNING IN THE DIRECTION OF THE ARROW.



2. ARM WITH METAL ACCESSORIES IS ATTACHED TO THE BODY THROUGH THE HOLES ON THE SIDES AND FITTED WITH "BUTTERFLY NUT".



3. THE "MIDDLE FEET" ARE ATTACHED TO THE HOLES ON THE BOTTOM BY TURNING IN THE ARROW DIRECTION.



4. DECORATIVE "FEET" ARE INSTALLED TO THE CORNER SECTIONS WITH 4 SCREWS AND WITH THE HELP OF A SCREW SCREW AS SHOWN IN THE BELOW PICTURE.

