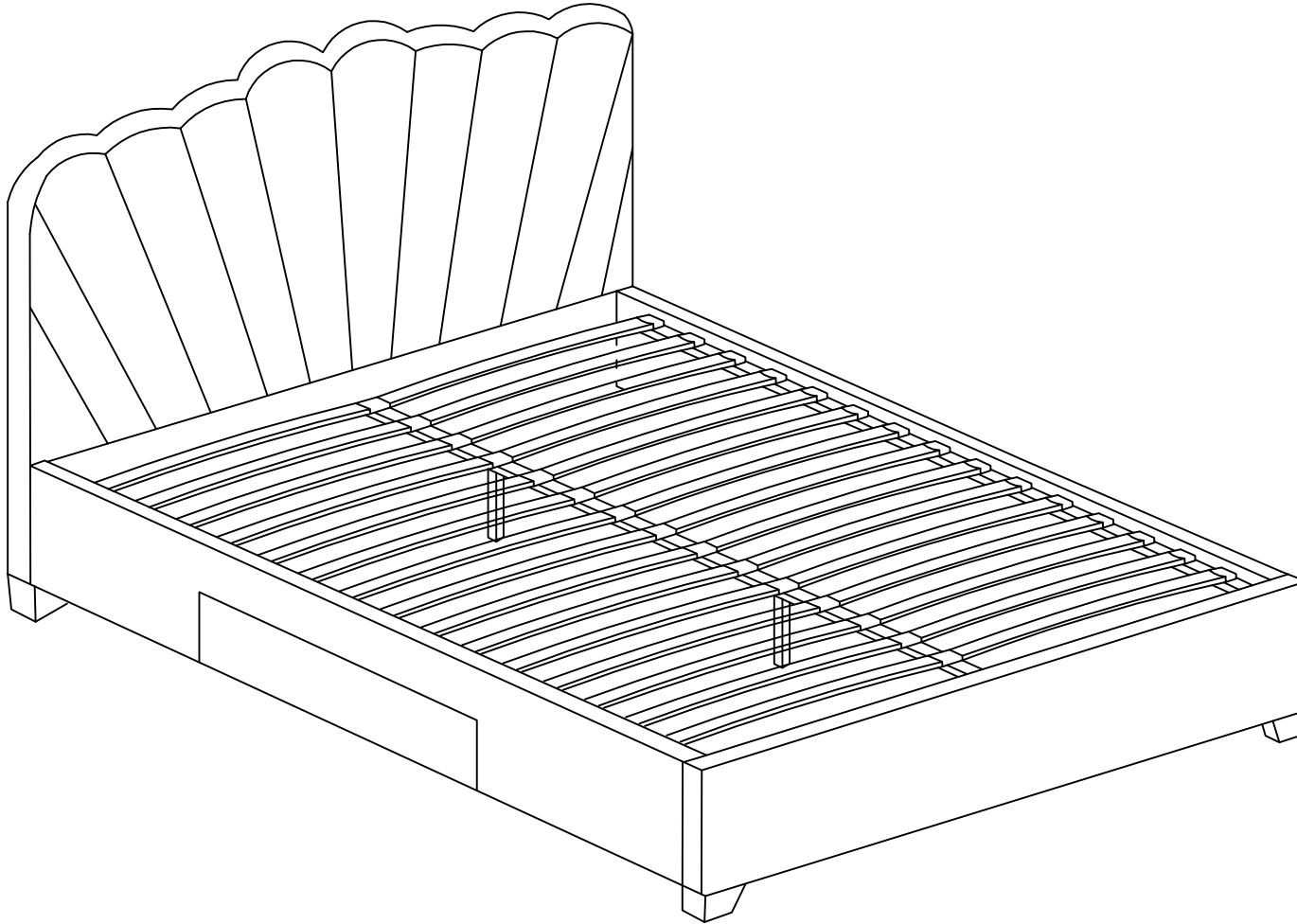


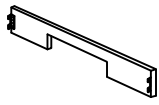

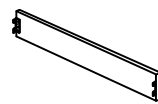
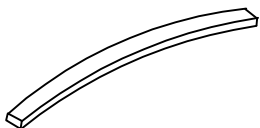
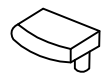
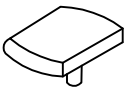

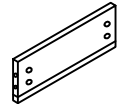
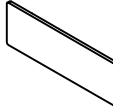
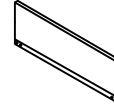
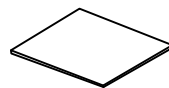

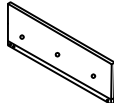

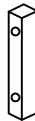
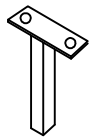


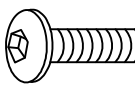
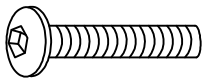
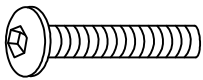
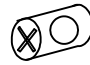





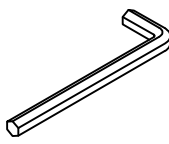
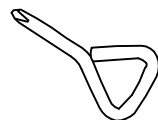
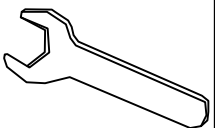
ASSEMBL INSTRUCTION

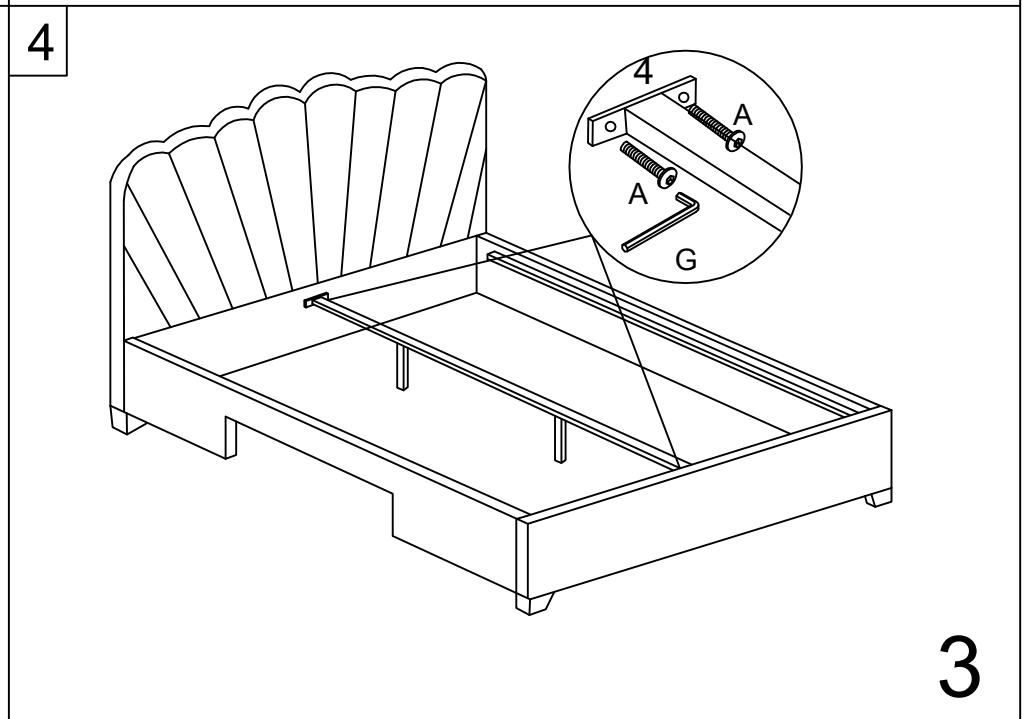
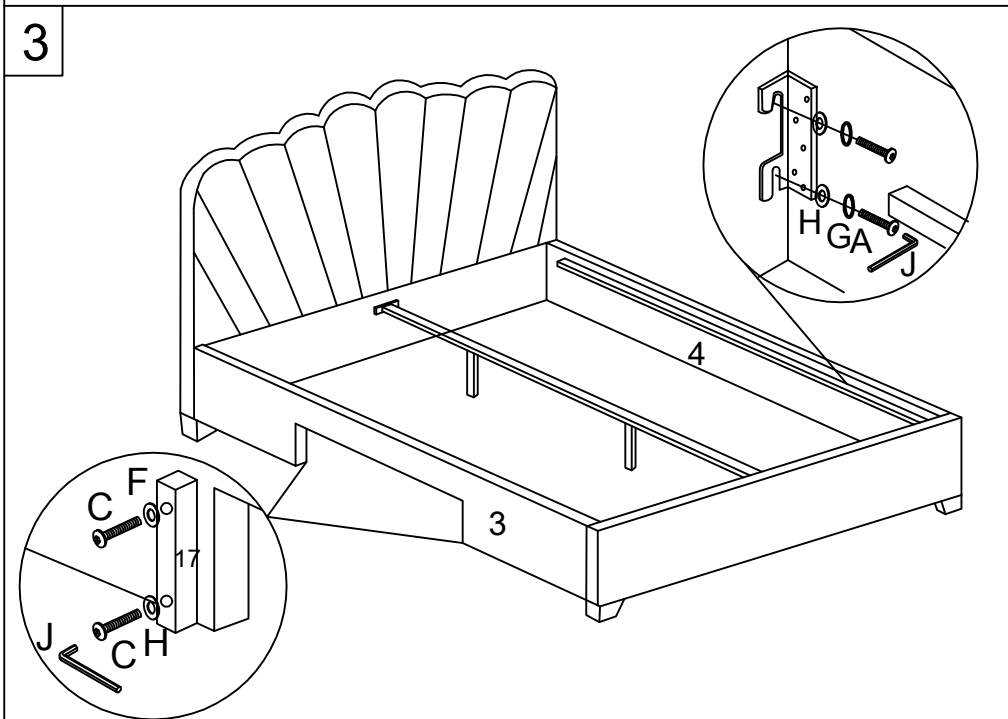
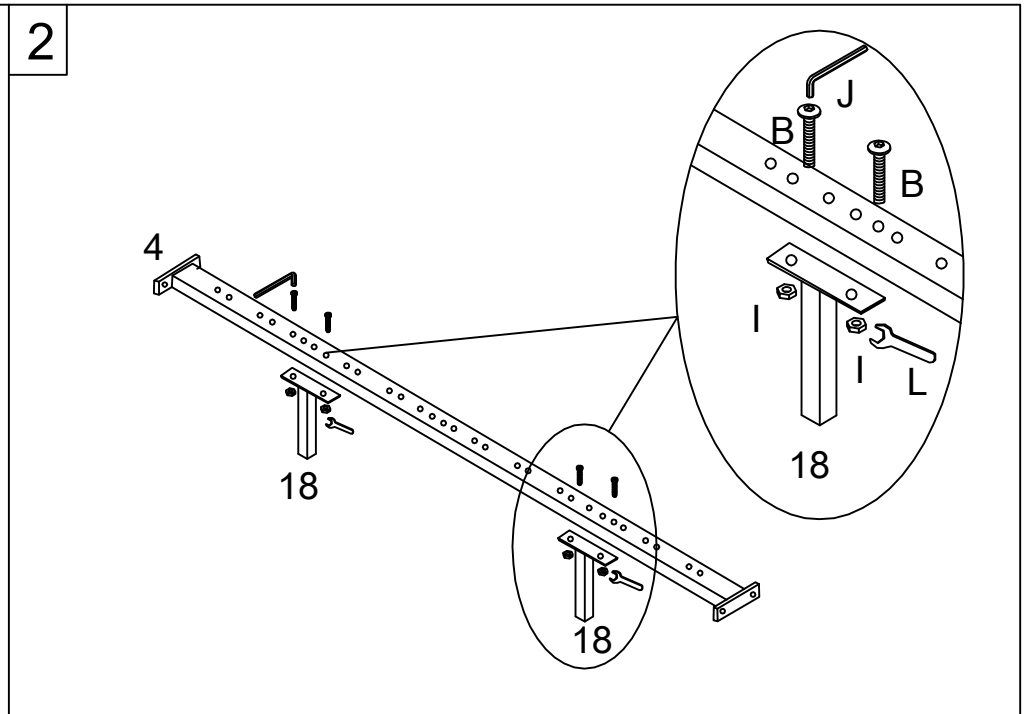
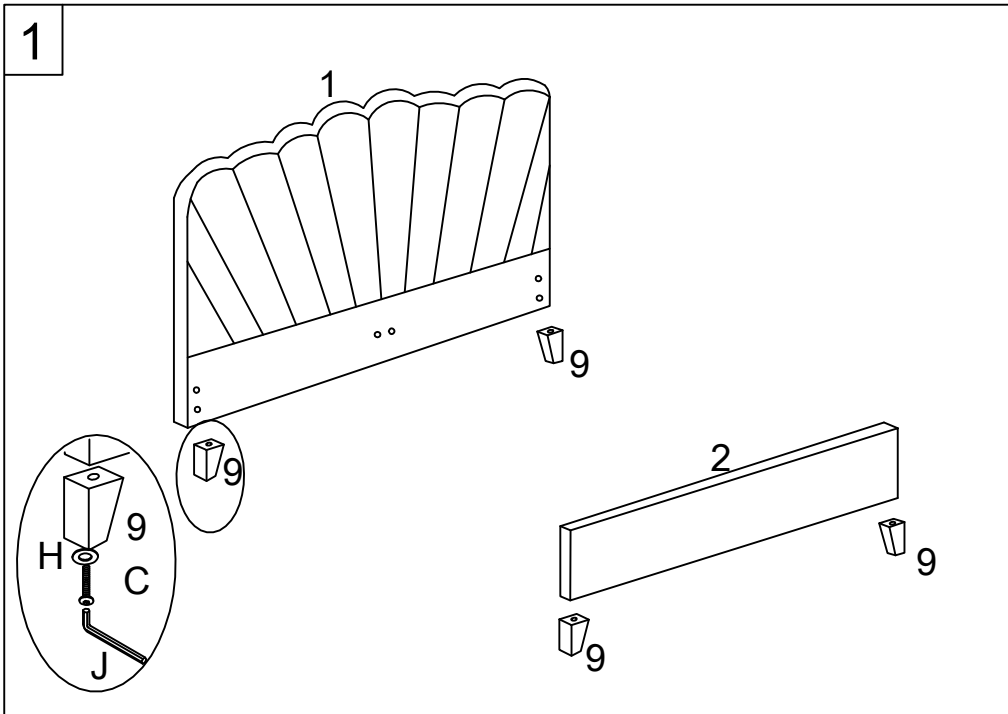


PART LIST

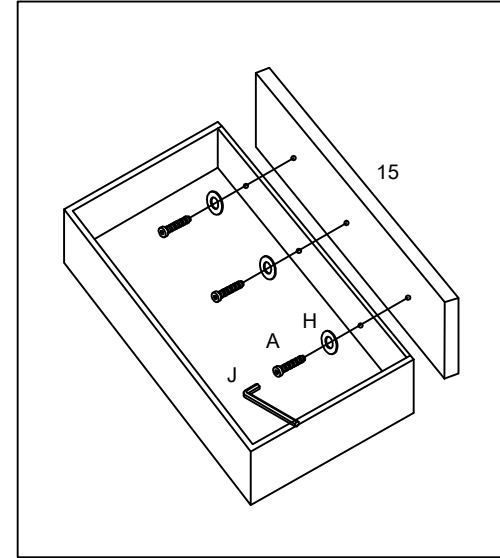
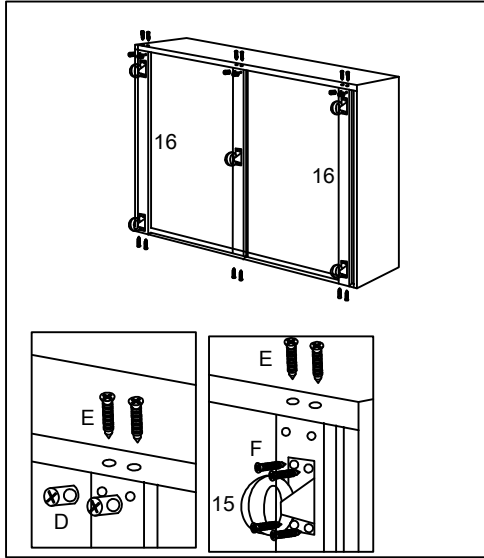
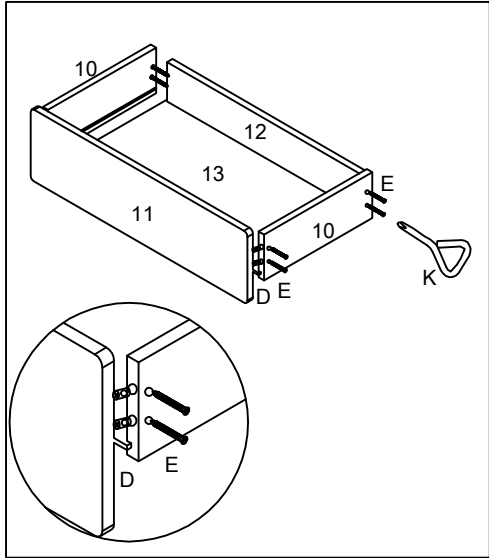
1.Headboard 1pc 	2.Footboard 1pc 	3.Side Rail*1pc 
4.Metal Bar 1pc 	5.Side Rail*1pc 	6.Slats*30pcs 
7.Single Plastic Cap*30pcs 	8.Double Plastic Cap*15pcs 	9.Leg*4pcs 
10. PANEL X2 	11.FRONT-PANEL X1 	12.PANEL X1 
13.BOTTOM X1 	14.BOTTOM SUPPORT X3 	15.PANEL X1 
16.WHEEL X5 	17. X2 	18.Support Leg *2pcs 

HARDWARE LIST

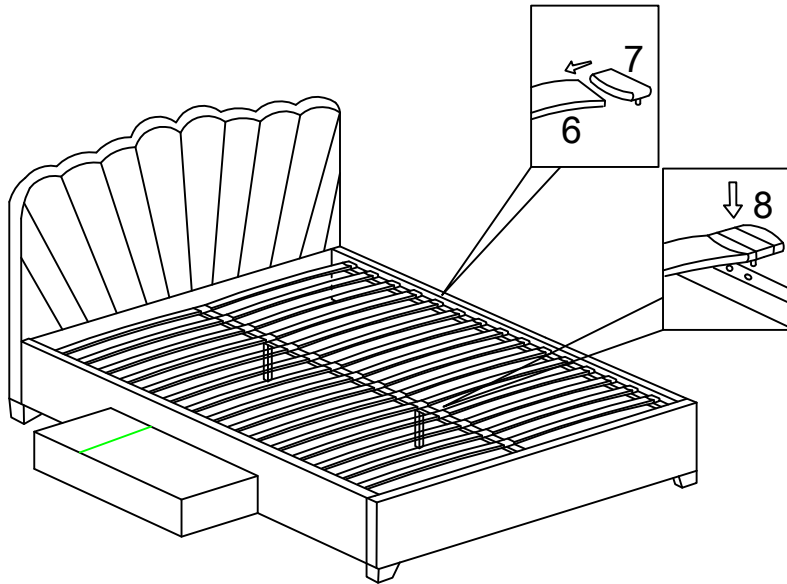
(A)Bolt M8*30mm*15pcs 	(B)Bolt M8*35mm*4pcs 	(C)Bolt M8*50mm*8pcs 
(D) *20pcs 	(E)TAPPING SCREW X20 M4*40mm 	(F)TAPPING SCREW X20 M4*13mm 
(G)Spring Washer*8pcs 	(H)Flat Washer *19pcs 	(I)Nut M8*4pcs 
(J)Allen Key M5*1pc 	(K) *1pc 	(L)Spanner *1pc 



5



6



7

