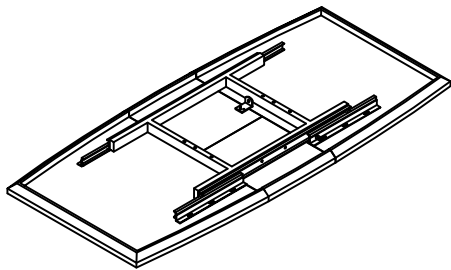
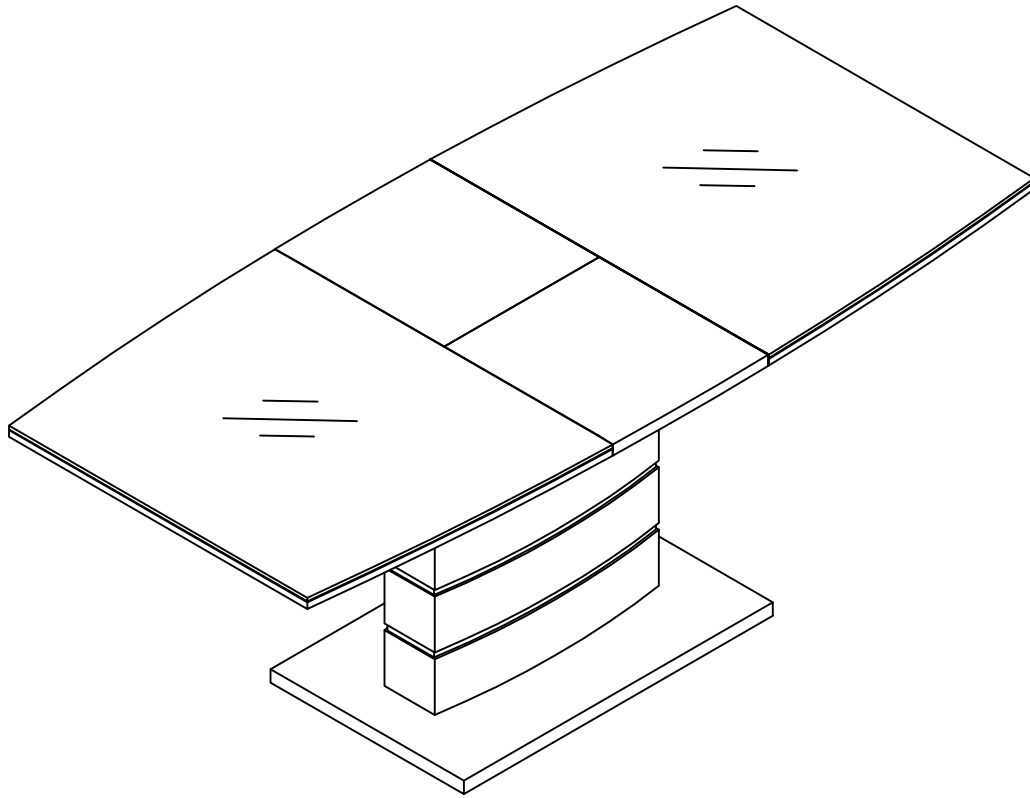
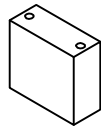


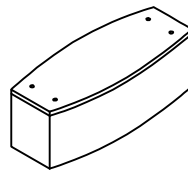
ASSEMBLY INSTRUCTION



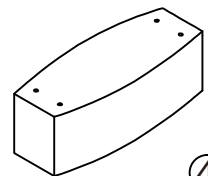
① x1



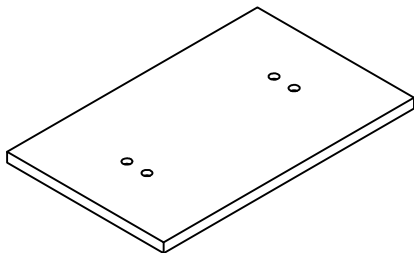
② x2



③ x3

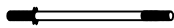


④ x1



⑤ x1

A (M8x690mm) x4



B x1



C (M6x16) x2



D (M4) x1



E (∅22x1.5mm) x4



F (M8) x4



G (M8) x1



H (M8) x4

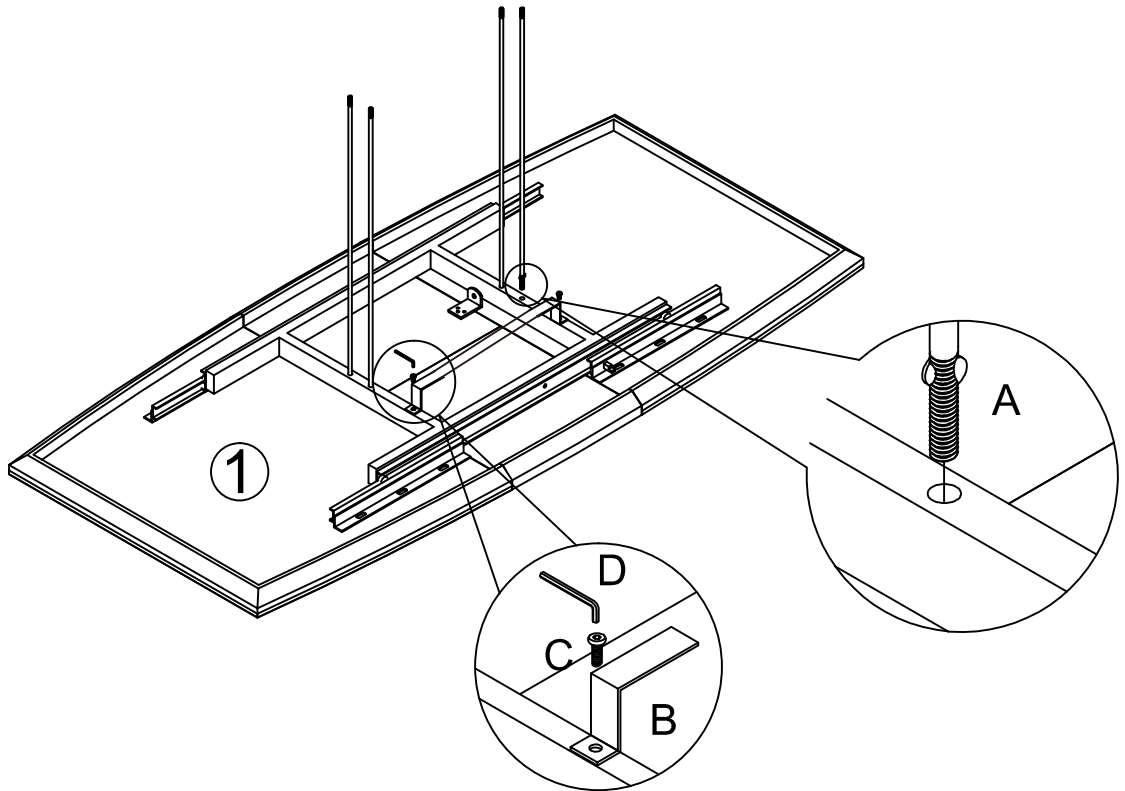


I (M6x15mm) x6

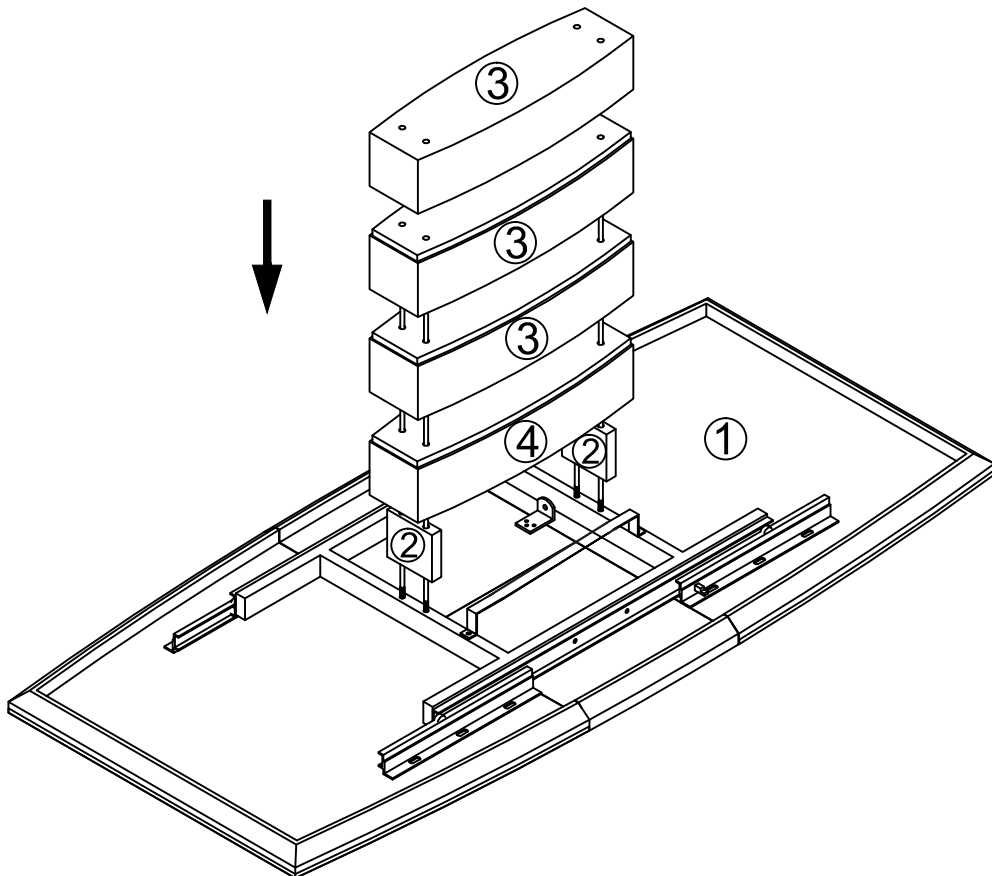


1/4

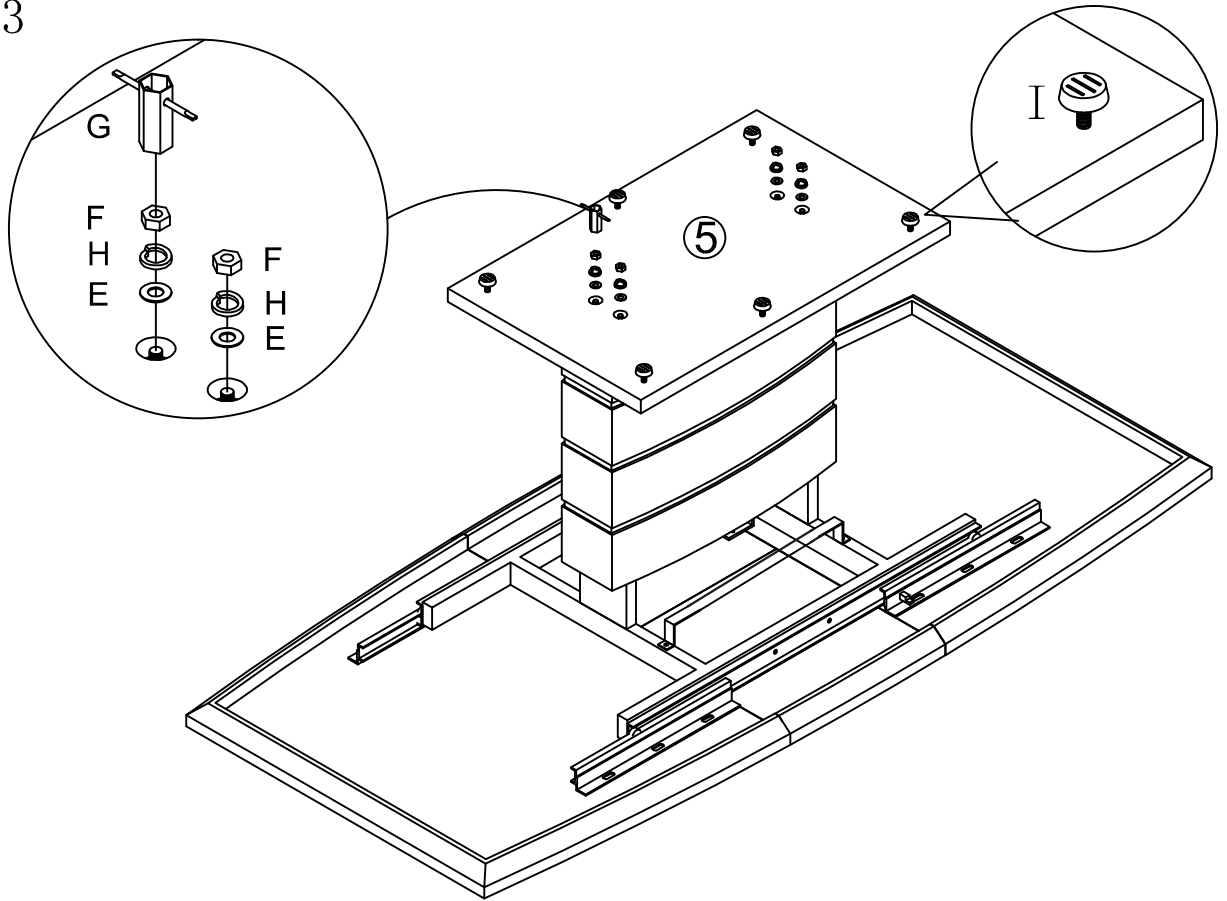
STEP1



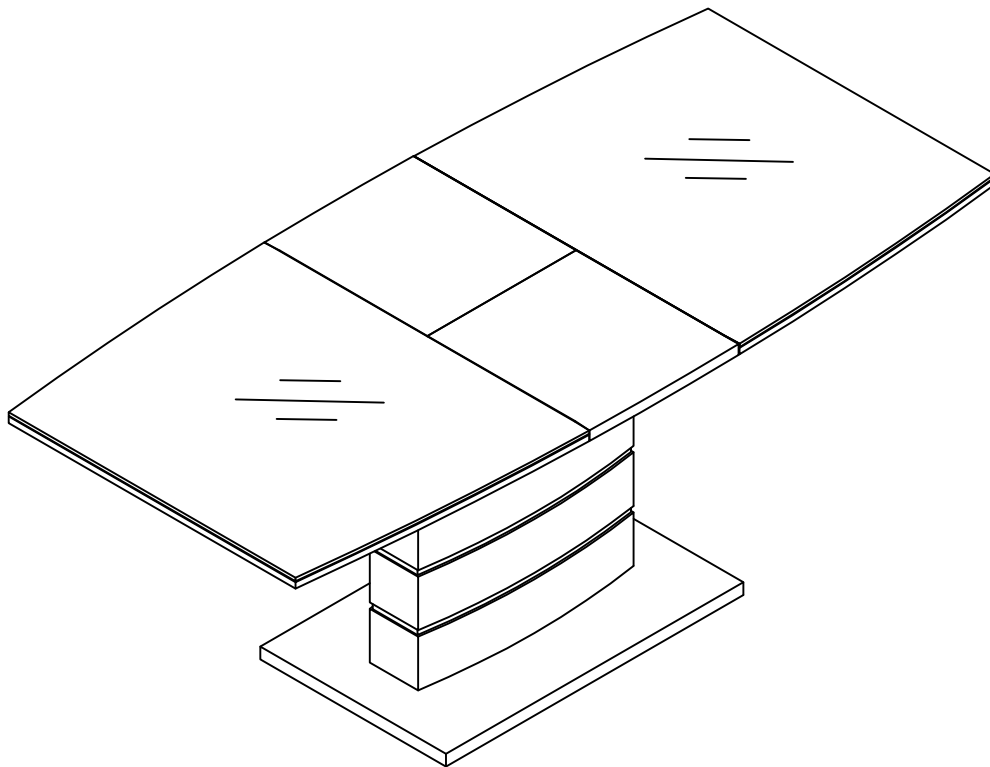
STEP2



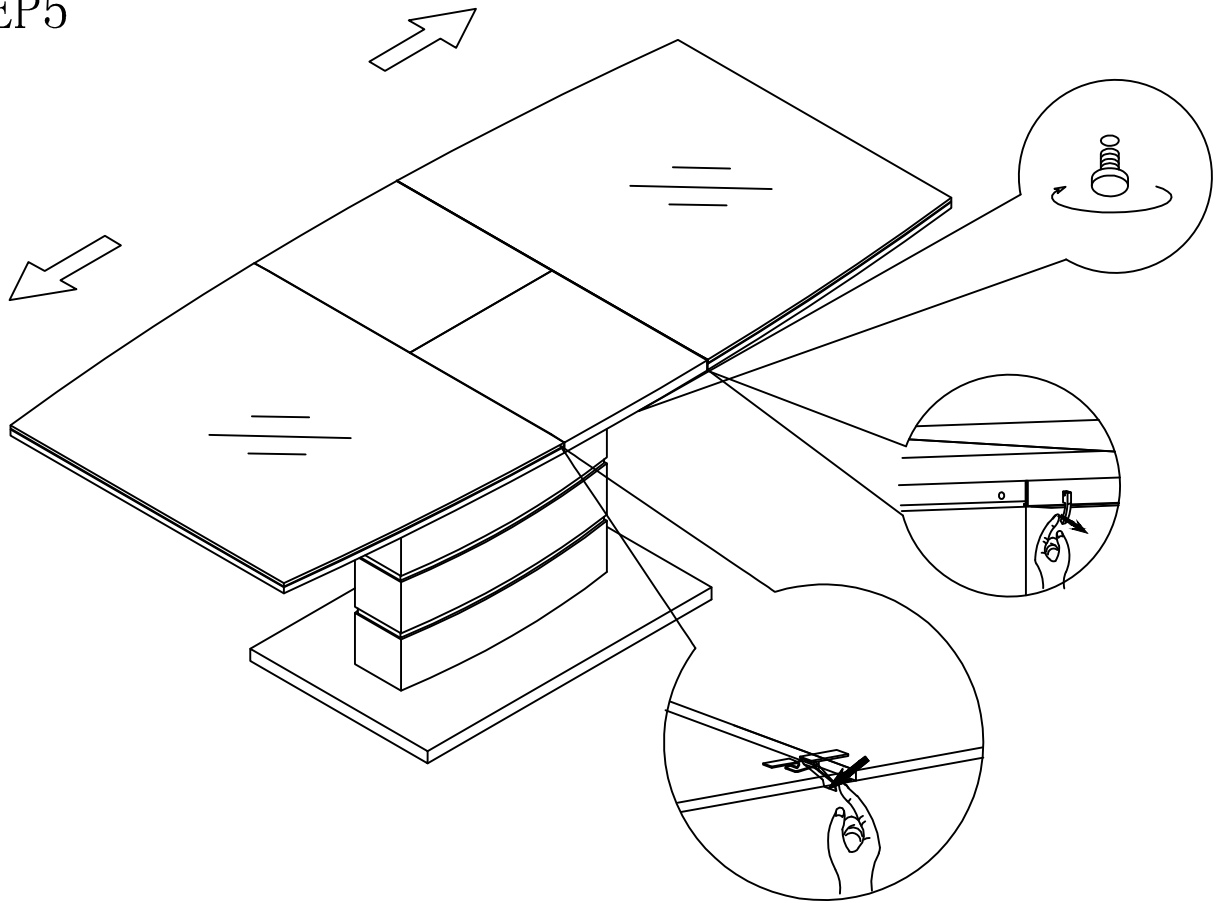
STEP3



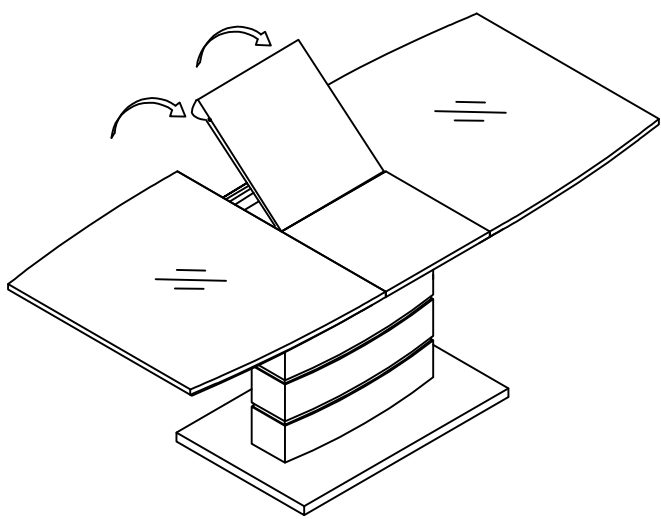
STEP4



STEP5



STEP6



STEP7

