
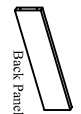
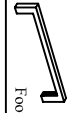
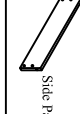
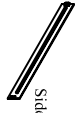
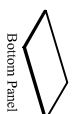
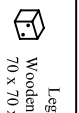
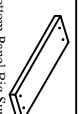

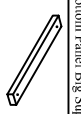
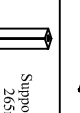


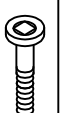
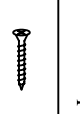

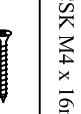



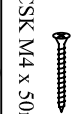


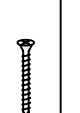
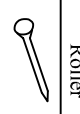
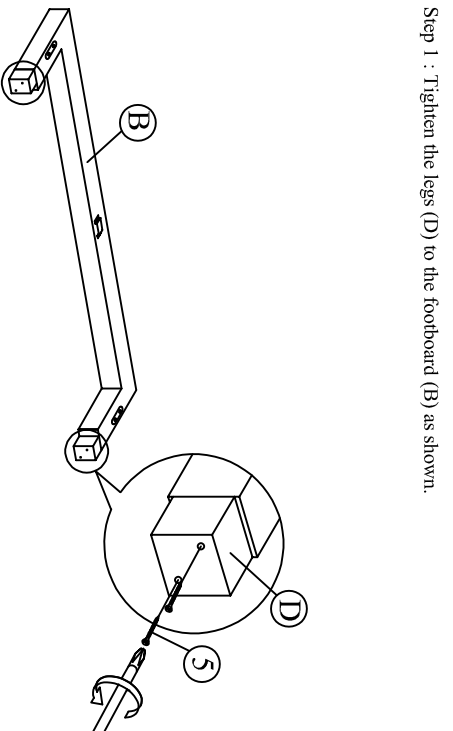
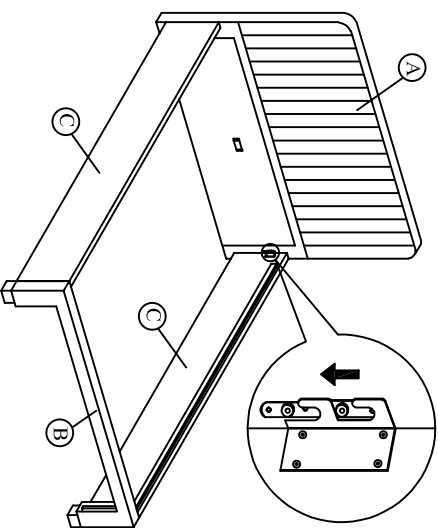


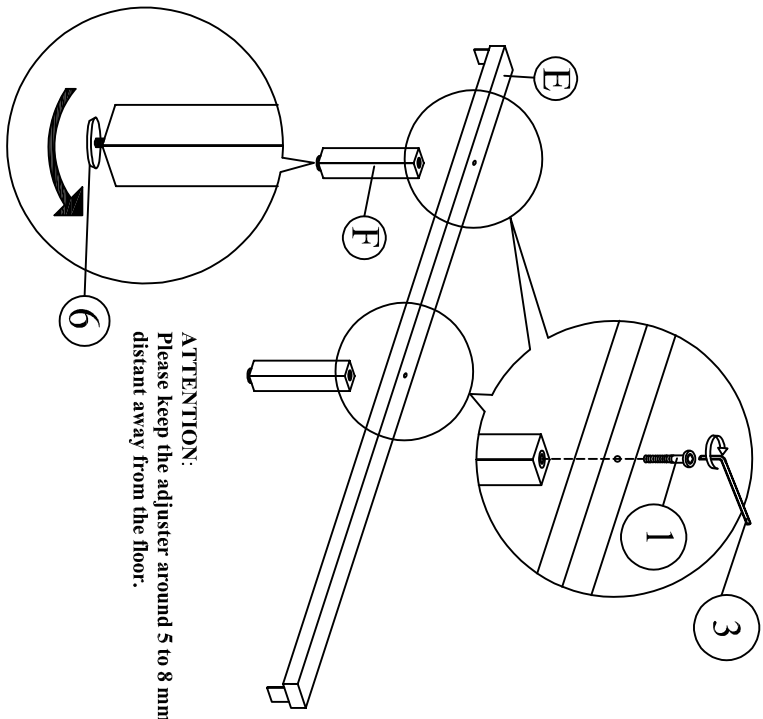
A		1 pc	I		1 pc
B		1 pc	J		2 pcs
C		2 pcs	K		1 pc
D	 Wooden Leg 70 x 70 x 50(H)	2 pcs	L		3 pcs
E	 Center Rail 2000mm	1 pc	M		2 pc
F	 Support Leg 265mm	2 pcs			
G	 14 Pcs Slat 1597mm	1 pc			
H	 Front Panel	1 pc			
hardware for bed (1)			hardware for panel (2)		
1		2 pcs	7		24 pcs
2		1 pc	8		16 pcs
3		1 pc	9		8 pcs
4		31 pcs	10		6 pcs
5		4 pcs	11		24 pcs
6		2 pcs	12		2 pcs



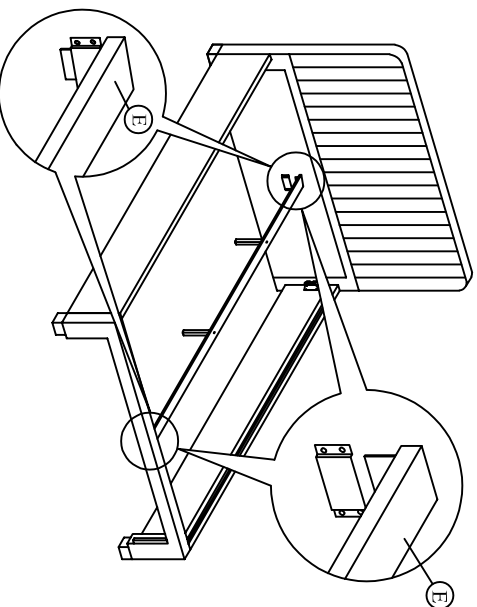
Step 1 : Tighten the legs (D) to the footboard (B) as shown.



Step 2 : Attach side rail (C) to headboard (A) and footboard (B) by pushing the bracket down to fit it.



Step 3 : Attach the support legs (F) to the center rail (E) of the bed as shown.

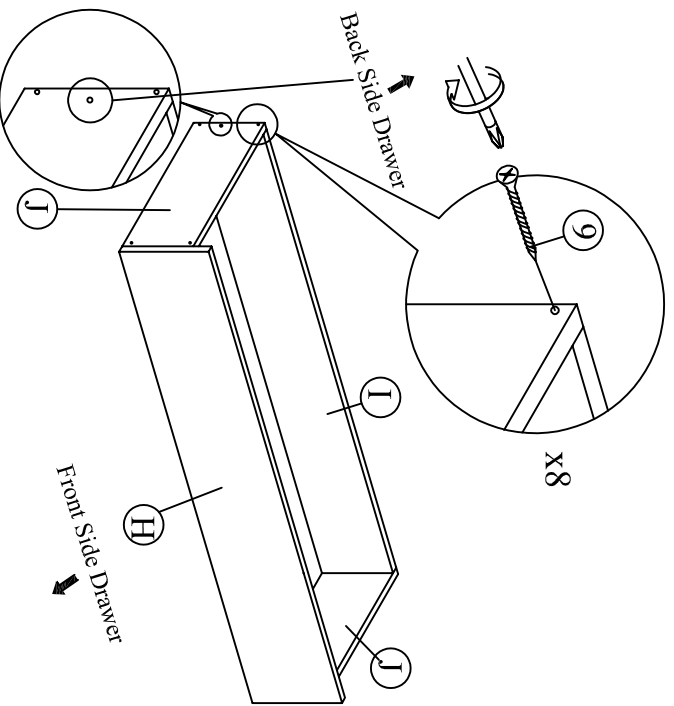


Step 4 : Slide the center rail (E) to the headboard (A) and footboard (B).

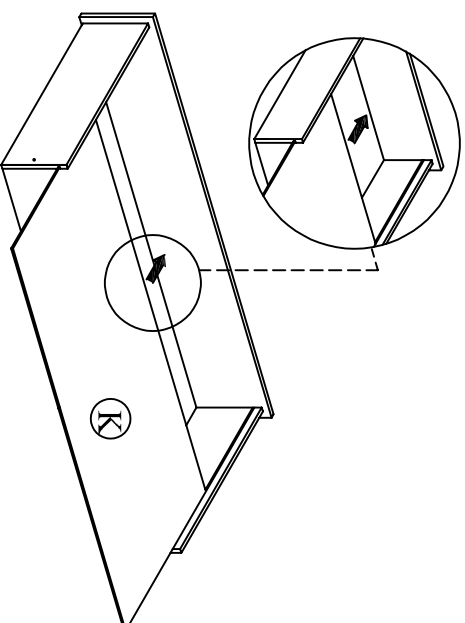
ATTENTION:
Please keep the adjuster around 5 to 8 mm distant away from the floor.

6

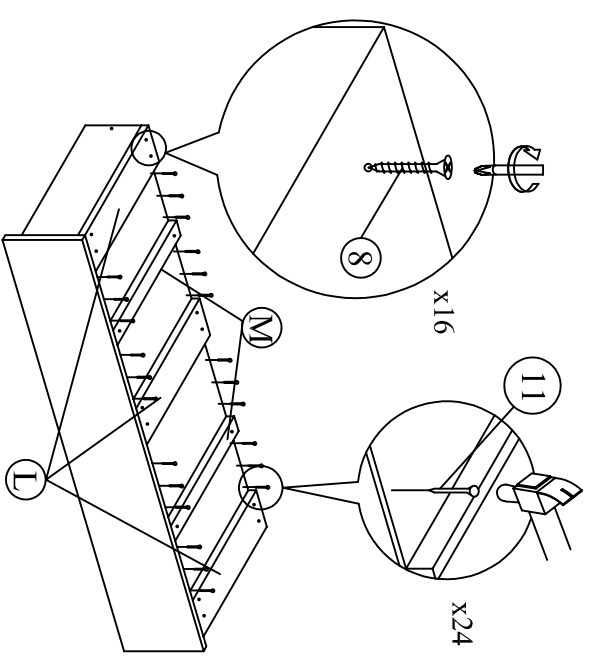
Step 5 : Tighten the side panel (J) to the front panel (H) and back panel (I) with screws (9) using screw driver (not included).



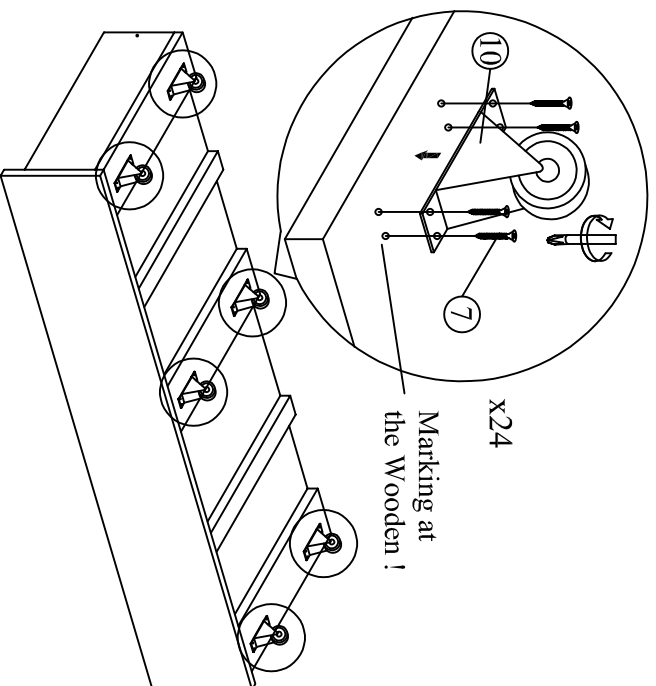
Step 6 : Slide the footboard bottom panel (K) to the set up drawer.



Step 7 : Tighten the bottom panel support (L & M) with screws (8) using screw driver (not included). Attach the bottom panel with Nail (11) using the hammer (not included).



Step 8 : Tighten the roller (10) with screws (7) using screw driver (not included).



Step 9 : Affix the Slat (G) to the side rail support wood and the center rail (E). Tighten all the 4 corner.

