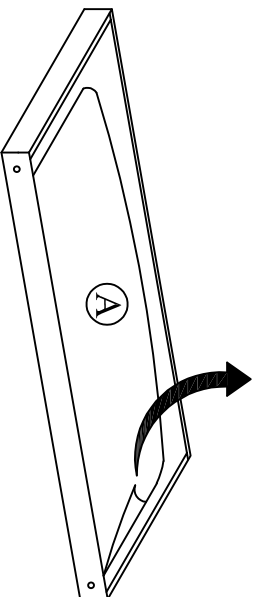


Model : CF 9260-C (3)

# Assembly Instruction

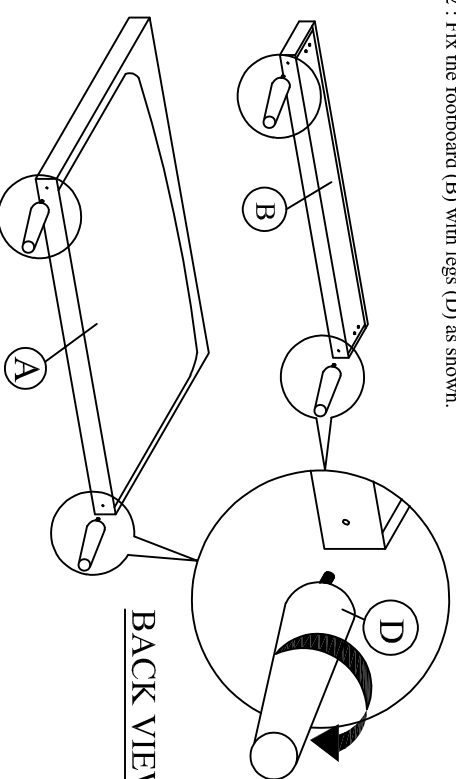
Step 1 : Unzip the black non-woven fabric on the back of headboard and take out all the parts out.



Attention: Zip the black non-woven fabric after take out the parts !!

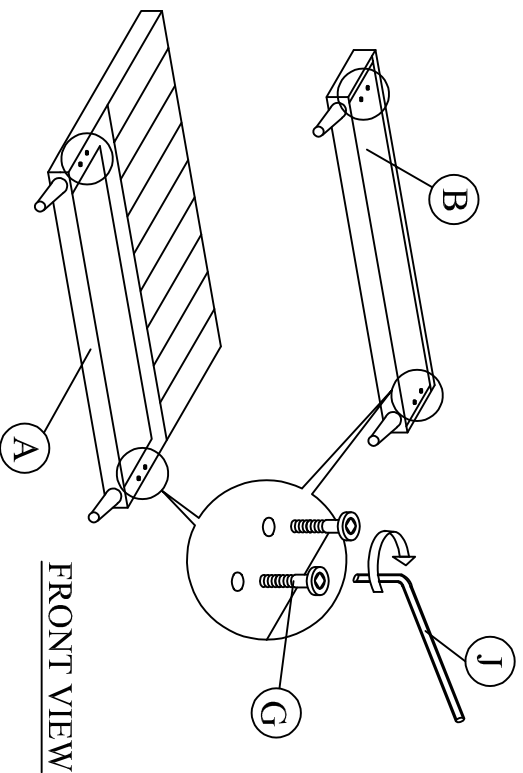
BACK VIEW

Step 2 : Fix the footboard (B) with legs (D) as shown.



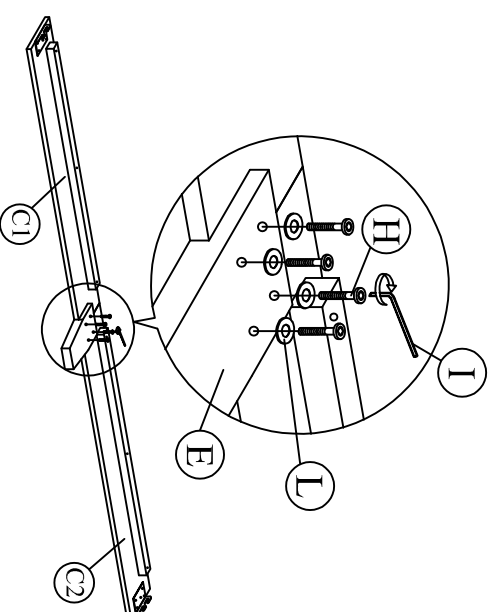
BACK VIEW













Step 3 : Attach the JCBB Bolt (G) to the headboard (A) and footboard (B).



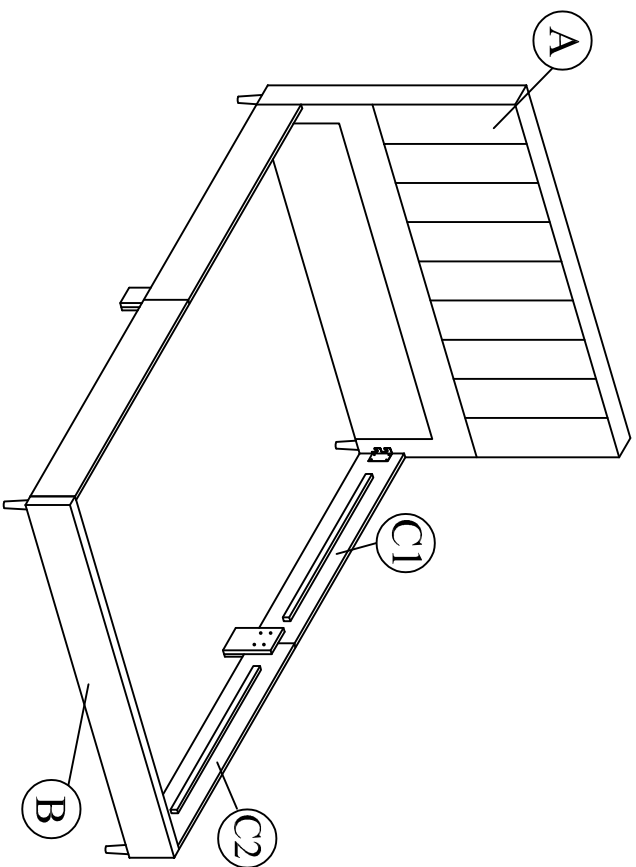
FRONT VIEW

Step 4 : Attach the side rail leg (E) to the side rail (C).



A		Headboard	1pc
B		Footboard	1pc
C		Side Rail	4pcs
D		Footboard Legs No.99 - 60 x 150(H)	4pcs
E		Side Rail Legs No.127 -240 x 80 x 30mm	2pcs
F		14 pcs slit 897mm	2pcs
G		JCBB M18 x 20	8pcs
H		JCBB M16 x 30	8pcs
I		Allen Key 65mm	1pc
J		Allen Key 70mm	1pc
K		CSK Screw 32mm	28pcs
L		Flat Washers	8pcs

Step 5 : Attach side rail (C) to headboard (A) and footboard (B) by pushing the bracket down to fit it.



Step 6 : Tighten the 4 Corner with Allen Key (J). Install the bed slats to side rail. Tighten the slats with CSK screw. The distance of the slats should be sufficient to obtain desirable bed stability.

