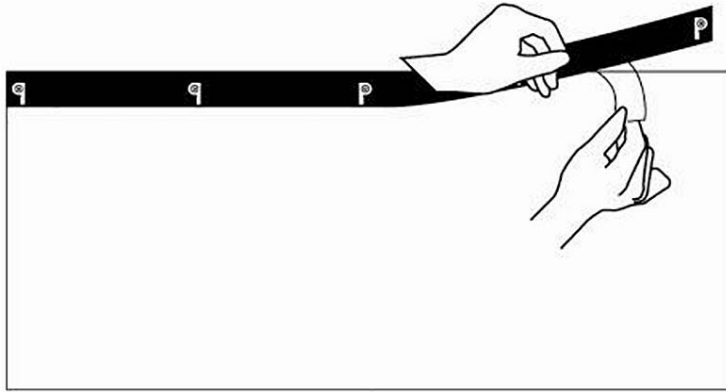
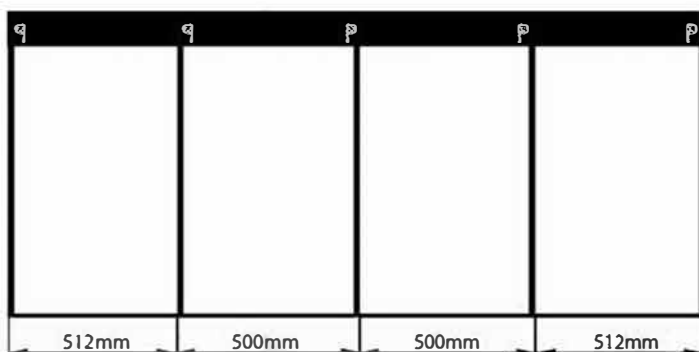
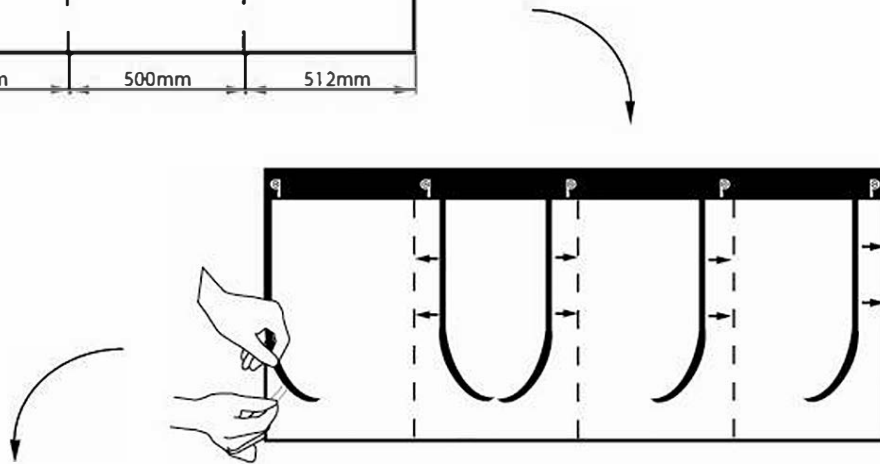
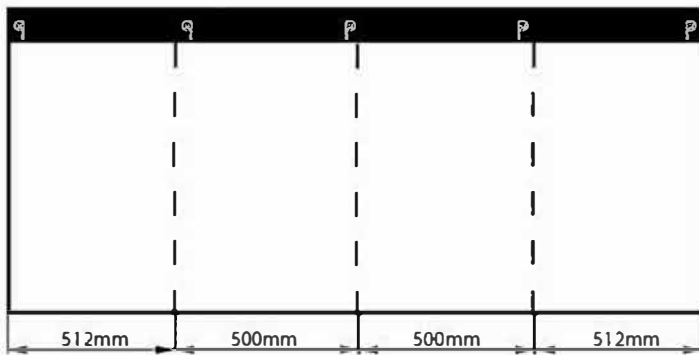


INSTRUCTIUNI DE MONTAJ

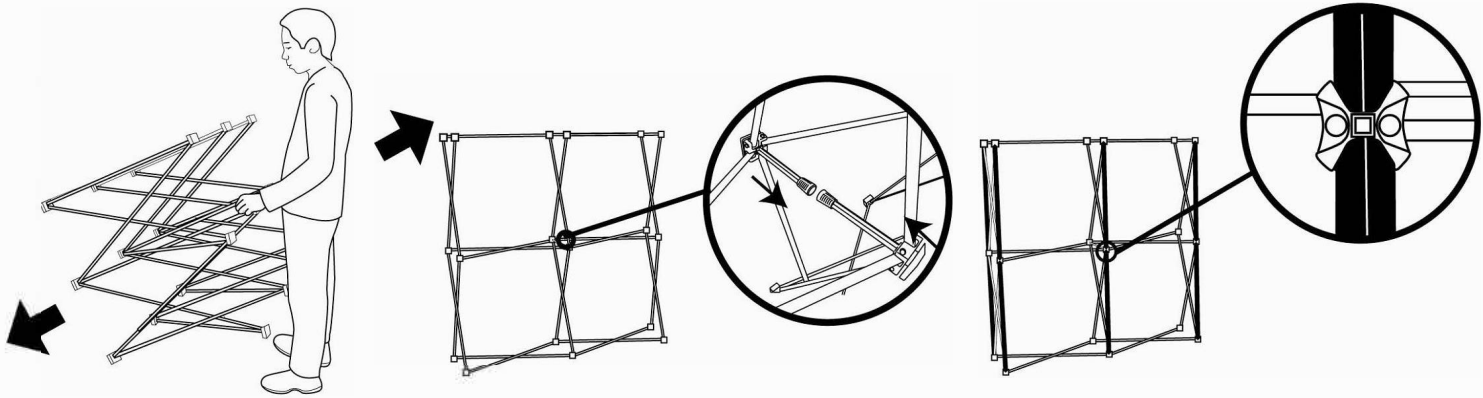
1. Align the header to the top edge of the graphic. Once aligned, slowly remove the protection film at the back of the header.



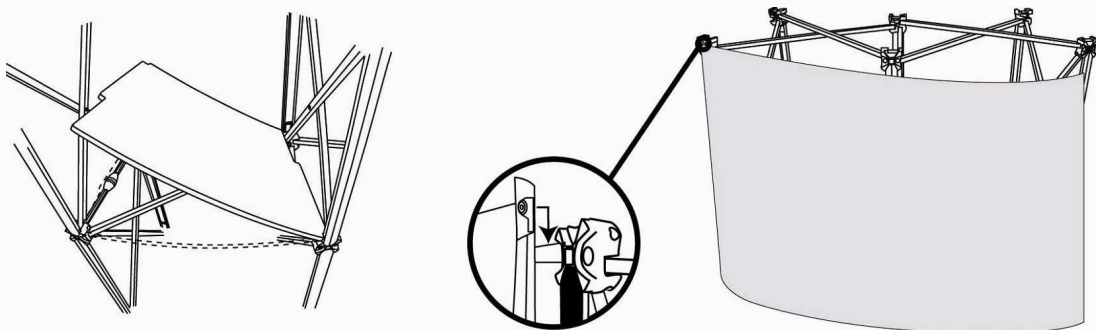
2. Follow the spacing distance from Mesa's line drawing, and mark the positions of mag tapes. Once marked, align mag tapes into its position and slowly remove the protection film at back of tape, to attach mag tapes to the graphic.



-
- 3.** Expand the frame and ensure all magnetic locks are tightly connected together. Then, attach the channel bars to the frame.



-
- 4.** Place the shelves in with an angle. Once all four shelves are in place, you can attach the graphic by connecting the floating magnets on the header board to the hubs. Also, ensure the magnetic tapes are attached to the channel bar smoothly.



-
- 5.** Place the tabletop on top of the frame, and ensure the hubs went into the indents underneath the tabletop, so it will sit firmly.

