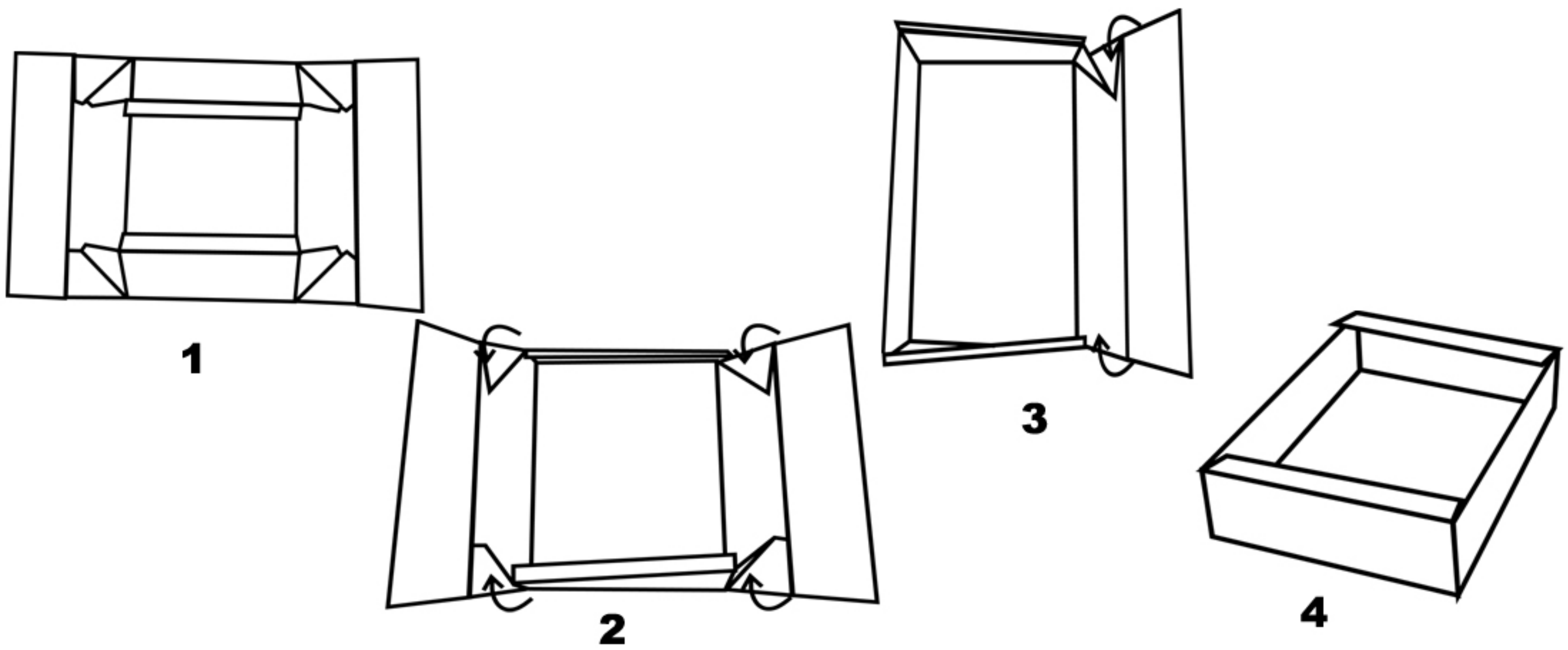


# FONDO - INTERTEIL - FOND - BASE



# COPERCHIO - DECKEL - COUVERCLE - COVER

